

## TECHNICAL DATA SHEET



# KRASO® Sealing Insert Universal multiple - split -

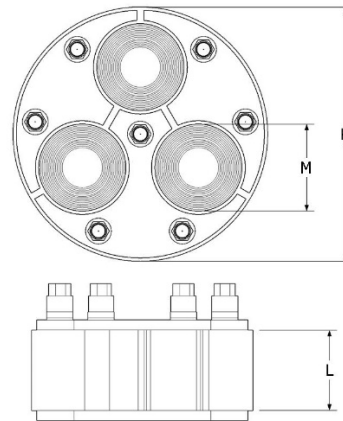
### Application areas

against pressing and non-pressing water, for core holes or casings for installation of several pipes or cables, split version for retrofit installation, including KRASO® Torque Control Nut.

### Product image



### Technical drawing



### Size

K	100	125	150	200
M	<i>Stepless ring technology: outer diameter cable from...to...mm</i>			
version 1:	4 x 6 - 33 mm or blind	6 x 6 - 28 mm or blind	3 x 6 - 52 mm or blind	3 x 6 - 28 mm or blind 4 x 6 - 52 mm or blind
version 2:	3 x 6 - 18 mm or blind 2 x 6 - 33 mm or blind	-	4 x 6 - 18 mm or blind 6 x 6 - 33 mm or blind	7 x 6 - 18 mm or blind 8 x 6 - 33 mm or blind
version 3:	8 x 6 - 18 mm or blind	-	6 x 6 - 38 mm or blind	-
seal	40	40	40	40
weight	0,7	1,0	1,2	2,3
art. no.	KDIMUNIG100	KDIMUNIG125	KDIMUNIG150	KDIMUNIG200

•K | core hole (mm) •M | media lines (mm) •L | seal (mm) •Weight | in kg

### Material

Clamping plates	non-corrosive stainless steel
Bolts	non-corrosive stainless steel
Washers	non-corrosive stainless steel
Nuts	Torque Control Nut KRASO® DKM
Seal	EPDM 50° +/-5° Shore

## TECHNICAL DATA SHEET



# KRASO® Sealing Insert Universal multiple - split -

### Prüfungen

- Torque Control Nut KRASO® DKM: integrated torque limiter – no torque wrench required!
- according to FHRK basis for inspection GE 101 tested
- Radon tight IAF tested – meets the requirements for Radon areas according FHRK information sheet MB 101
- Axial bending of the media pipes up to 8° possible
- MPA gas- and water pressure tight, tested up to 2,5 bar
- DafStB waterproof concrete guideline: Stress Class 1 + 2

Certificate

[find in our download areas](#)

### Installation situation

