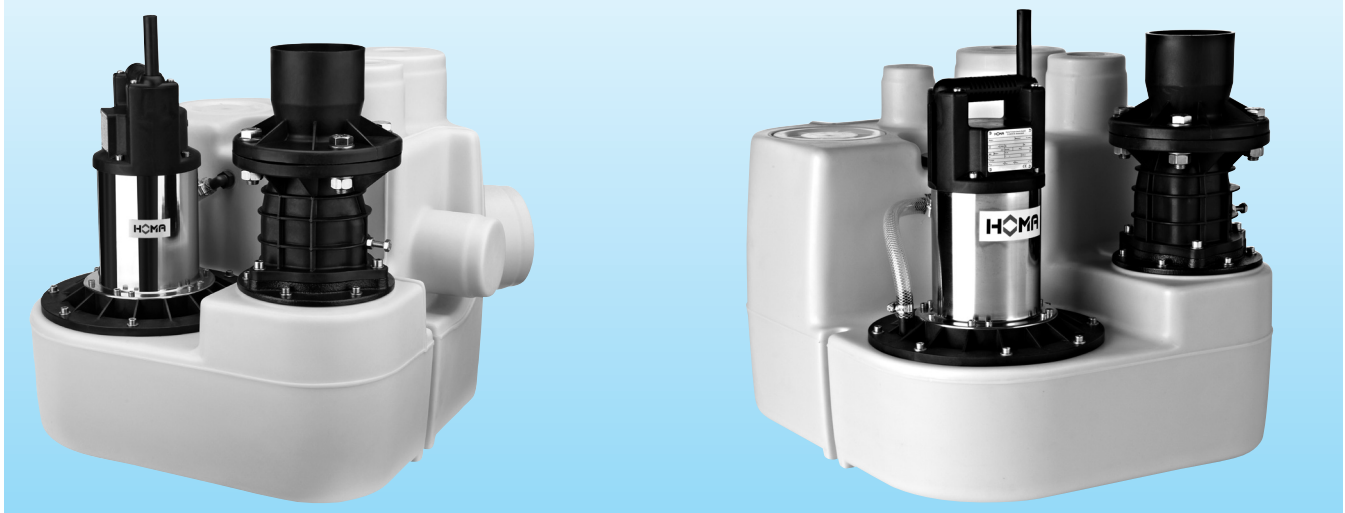


**Floodable sewage disposal unit  
with integrated non-return valve**

## Sanistar C



### Application

HOMA Sanistar C are compact sewage disposal units. They are suitable for pumping sewage and waste water from toilets, hand basins, showers and rooms which are below the sewer level according to DIN 1986.

Even if there is a natural fall, if the sewer is flooded, the sewage is unable to drain. In this case, HOMA Sanistar C will prevent a back up and flooding of the room.

HOMA Sanistar C is the ideal solution for new constructions or renovation of old constructions.

They are used for applications in:

- single-family homes
- basement flats
- sanitary facilities in private cellar rooms

**DIN EN 12050 -1:** Design tested and monitored.

**Pumped medium:** Clean water and waste water with solid and fibrous content and feces.

Max. temperature of pumped medium: 35° C, for brief periods up to 60° C.

**Operating mode:** Intermittent operation.

### Design

Flood protected single pump lifting station consisting of:

**Collecting tank:** Odour and gas tight plastic collecting tank:

- DN 100 horizontal, 180 mm height
- DN 100 horizontal, 250 mm height
- DN 100 vertical
- DN 150 horizontal and vertical
- DN 40 vertical.

**Discharge:** Flange DN 80.

Flexible union piece DN 80/Ø 89. With integrated soft check valve.

Air vent: DN 70 vertical. Connection for diaphragm pump: BSP 1" F.

Cleaning cover with screw cap.

**Pump:** Pump chamber integrated in the collecting tank. Non clogging impeller, spherical clearance 40 mm.

**Motor:** Fully submersible E-motor, sealed against pressurized water. Single phase or three phase version. Thermal sensor for temperature monitoring in the winding. Insulation class F, Protection rating IP 68. Chrome steel motor shaft, pre-lubricated bearings.

**Cable:**

Pump, 4 m:  
Model W: H07RN-F5G1,5  
Model D: H07RN-F6G1  
Control box plug, 0,8 m:  
Model W: H07RN-F3G1,5  
(Schuko plug 230 V)  
Model D: H07RN-F5G1,5  
(CEE-plug 16 A / 400 V)

**Seal:** Triple lip seal combination in separate oil chamber. Oil inspection from outside.

### Materials

Collecting tank	Polyethylene
Impeller	Cast steel
Pump flange, motor housing cover	glass fibre reinforced plastic
Pressurized lid non-return valve	Cast iron
Non-return valve housing	Plastic
Motor housing	Stainless steel
Motor shaft	Stainless steel
Mechanical connection parts	Stainless steel
Elastomers	NBR

### Scope of supply

Tank with 1 pump, discharge with DN 80 soft check valve and flanged elastic union piece DN 80/Ø89 with hose bands, gasket and screws. Elastic union piece for inlet DN 100 and air vent DN 70 with hose bands. Fixing bolts for tank fixing point. Pneumatic level control. Electronic control box with cable. (1-Ph) or CEE-plug 6 A (3-Ph)

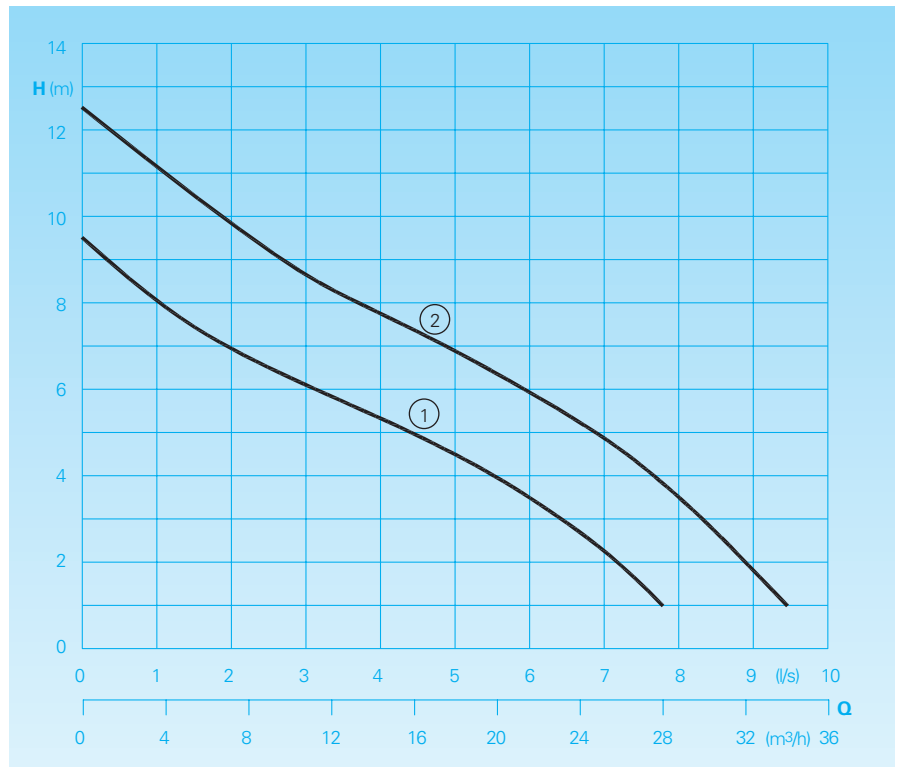
## Control box

Pneumatic level control with pressure operation. Motor over run period which prevents sewage build up and blockage. Electronic control box for control and monitoring of all important functions. Motor protection with temperature control of the winding.

Optical failure alarm. Acoustic alarm by buzzer. Potential free malfunction alarms optionally retrofittable, see accessories. Control indication for direction of rotation.



## Conveying capacities

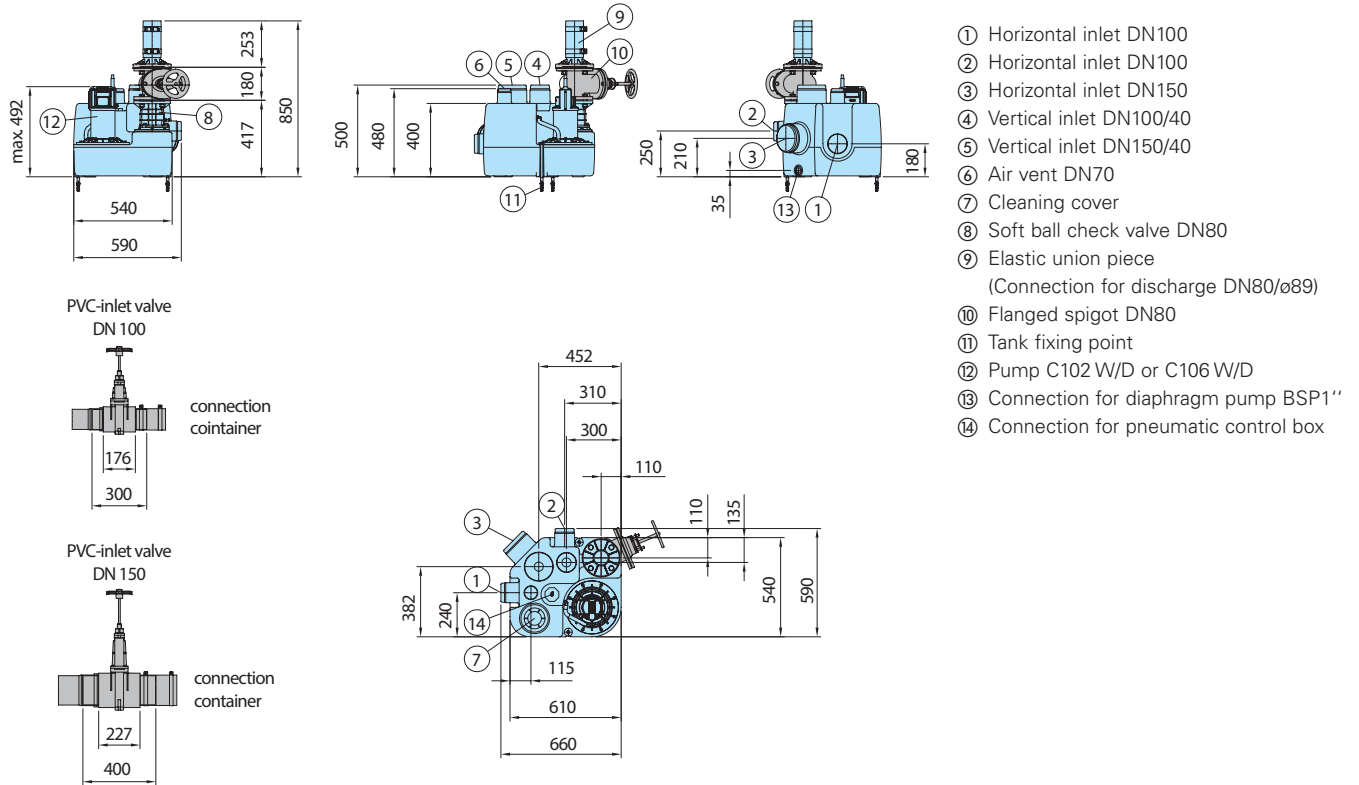


## Technical data

Curve No.	Type	Motor input		Nominal current (A)	Collecting tank total volume	Collecting tank operating volume	Weight (kg)
		P <sub>1</sub> (kW)	P <sub>2</sub> (kW)				
①	Sanistar C102 W	1,2	0,85	5,3	70 l	30 l	32,0
①	Sanistar C102 D	1,2	0,85	2,2	70 l	30 l	32,0
②	Sanistar C106 W	1,6	1,2	7,0	70 l	30 l	33,0
②	Sanistar C106 D	1,5	1,2	2,5	70 l	30 l	33,0

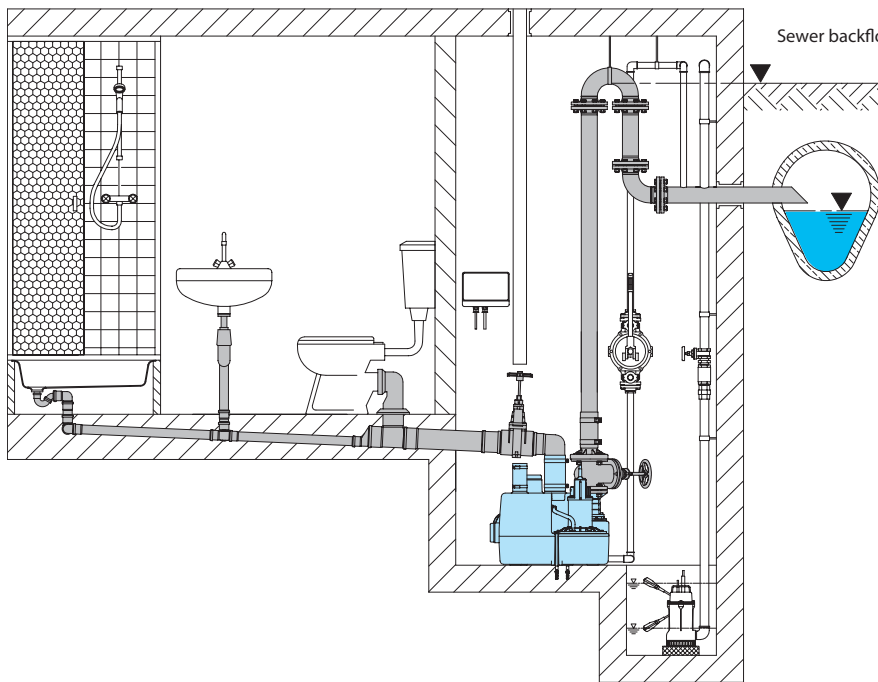
Rotational speed: 2900 rpm | Model W: 230V/1Ph 50Hz | Model D: 400V/3Ph 50Hz

**Dimensions & main components** (all dimensions in mm)

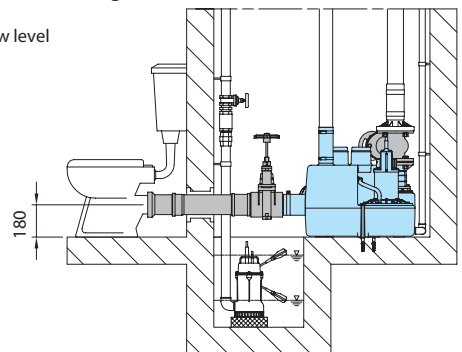


**Installation example**

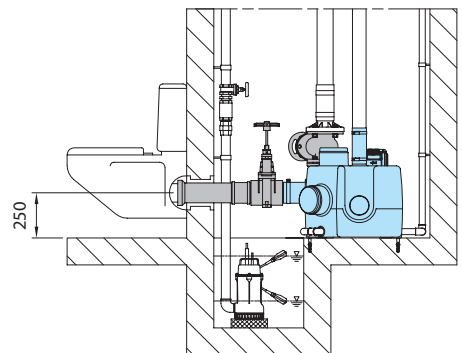
**Main inlet vertical**



**Direct connection Euro-WC (Inlet height 180 mm)**



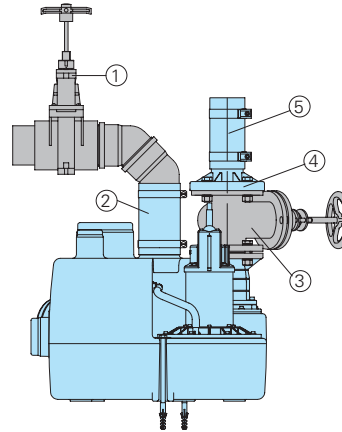
**Direct connection hanging-WC (Inlet height 250 mm)**



## Accessories

Description	Size	Part no.
① PVC-inlet valve	DN 100 DN 150	2214110 2214160
② Elastic union in scope of piece with hose clamps	DN 100 DN 150	supply 21595420
○ Hose clamp	GBS 117/25 GBS 168/30	2311520 2317520
③ Flanged gate valve	DN 80	2216080
④ Set of screws with seal		2214081
⑤ Connection-Kit pressure pipe	DN 80 DN100	in scope of supply 8609004
○ Diaphragm pump	BSP 1" F	8502445
○ 9 V rechargeable battery for mains-independent alarm		1952214
○ Potential free malfunction alarms Collective alarm-Kit PCS1-SA-KIT		1964159
○ Accessories-Kit for retrofitting an mains-independent operation alarm signal Consisting of: - PCS1-SA-KIT - Alarm system AL3 - Battery 9V		1964160

Vertical inlet



Horizontal inlet

