

TECHNICAL DATA SHEET

KRASO® Flange Plate electrogalvanised

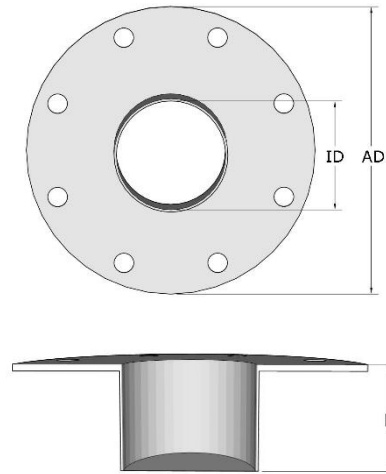
Application area

for installation of pipes or cables using a sealing insert (not included in the scope of supply), in front of a core drilling or masonry wall, electrogalvanised steel, EPDM flat seal. ID = InternalDiameter | **DafStB waterproof concrete guideline: stress class 1 + 2**

Product image



Technical drawing



•ID | Internal diameter tubular sleeve (mm) •AD | External diameter flange plate (mm) •L | Length protrusion (mm) •Weight | in kg

Material

Flange plate / casing	Electrogalvanised
Supplements	EPDM flat seal 10mm 50 +/- 5 shore
Fixing material	Shear connector, threaded rod M12 stainless steel, adhesive and sealant KRASO® PU 50

Technical details

- Available in non-corrosive stainless steel V2A or V4A or electrogalvanised

Test certificates [In our download area](#)

Type / Item	KRASO® Flange Plate electrogalvanised						
ID	80	100	125	150	200	250	300
AD	240	260	290	310	360	410	460
L	80	80	80	80	80	80	80
Weight	1,8	2,2	2,5	2,8	3,8	4,7	5,8
Item No.	KGVP1080	KGVP1100	KGVP1125	KGVP1150	KGVP1200	KGVP1250	KGVP1300

•ID | Internal diameter tubular sleeve (mm) •AD | External diameter flange plate (mm) •L | Length protrusion (mm) •Weight | in kg