

TECHNICAL DATA SHEET



KRASO® Multi-Flange Plate Type MFP

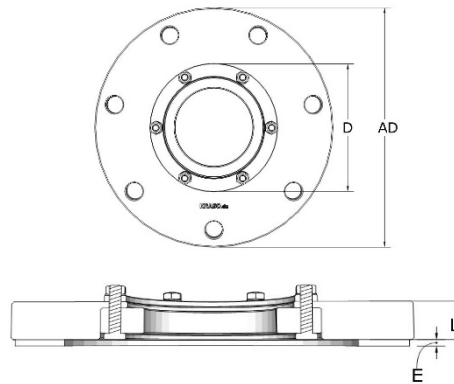
Application areas

for installation of pipes, 30 mm thick high-strength plastic, with integrated sealing insert, Torque control nut **KRASO® DKM**, non-corrosive stainless steel, seal width to the media pipe or cable 20mm, EPDM flat seal, incl. fixing material und **KRASO® PU 50**, against pressing water, MPA tested up to 1,0 bar. | **DafStB waterproof concrete guidelines: Stress class 1+2**

Product image



Technical drawing



• D | diameter KRASO sealing insert (mm) • AD | outer diameter (mm) • L | strength plastic plate (mm) • E | EPDM flat sealing
 • media line | diameter pipe or cable form ...to...(mm) • weight | in kg

Material

Flange-Plate	Plastic (PP)
Sealing	EPDM flat sealing 5mm 50 +/- 5 Shore
Fixing material	Threaded bolts, washers, nuts M12, galvanised
Nut	Torque Control Nut KRASO® DKM

Technical details

- Torque Control Nut **KRASO® DKM**: integrated torque limiter – no torque wrench required
- Axial bending of the media pipes up to 8° possible
- MPA gas- and water pressure tight, tested up to 1,0 bar

Certificate | [find in our download area](#)

Typ / Article	KRASO® Multi-Flange Plate Type MFP						
D	80	100	125	150	200	250	300
AD	206	226	243	273	323	373	423
L	30	30	30	30	30	30	30
E							
Diameter pipe or cable	22-25	32-35	60-63	78-80	108-110	158-160	200
	32-35	40-43	75-77	88-90	114-118	168-170	210
	40-43	48-50	78-80	108-110	123-125	177-180	219
		60-63			133-135	200	225
					139-140	210	250
Weight	3,7	3,8	5,1	5,4	7,9	13,4	17,4
Article-No.	KMFP080	KMFP100	KMFP125	KMFP150	KMFP200	KMFP250	KMFP300

• D | diameter KRASO sealing insert (mm) • AD | outer diameter (mm) • L | strength plastic plate (mm) • E | EPDM flat sealing
 • media line | diameter pipe or cable form ...to...(mm) • weight | in kg