

TECHNICAL DATA SHEET



KRASO® Floor Penetration Type BDF + F – KG 2000

Application areas

For installation in waterproof base plates for connection to KG2000 – lines, with water pressure tight surrounding KRASO® 4 Seal, formed plug in sleeve on one site and KRASO® cover as an installation aid.

Material

pipe	PP (solid wall material)
4 Seal	TPE
foil flange	EPDM
cover	PP
lip seal	SBR

Tests

- Radon tight: Protects against a hazardous concentration of radioactive noble gas
- Made of shape- and pressure-resistant solid wall material with low abrasion! Installation possible even at low temperatures.
- Temperature resistance up to 60 °C.
- KG 2000: made of polypropylene (PP), mineral-filled, smooth walls, long-lasting
- ring stiffness SN 10
- in accordance with DIN EN 14758
- MPA tested up to 10 bar

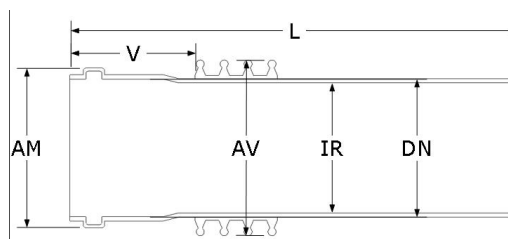
Certificates

[find in our download area](#)

Product Image



Technical Drawing



Type BDF

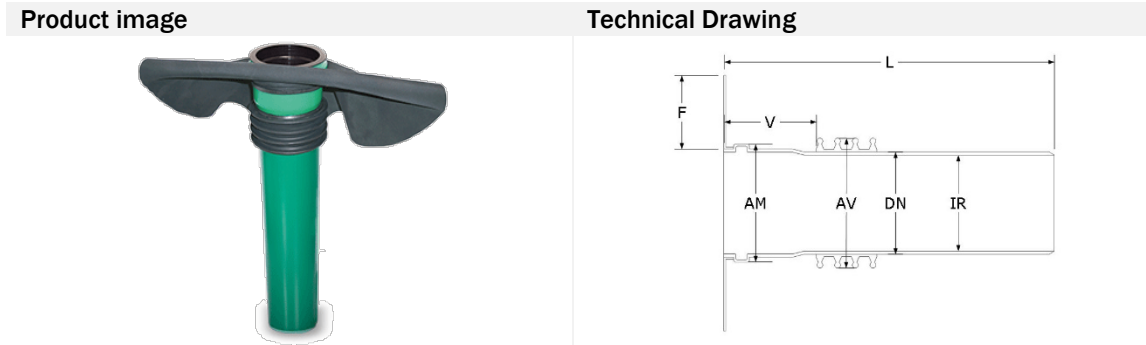
	110	125	160	200	250	315	400	500
DN	110	125	160	200	250	315	400	500
L	590	590	590	590	590	590	590	590
IR	103,6	118,6	152	190,2	237,6	299,6	380,4	475,4
AM	130	149	190	235	290	290	451	558
AV	138	153	188	228	278	343	428	528
V	120	100	120	70	80	90	100	120
Material thickness	3,4	3,9	4,9	6,2	7,7	7,7	12,3	15,3
Weight	1,1	1,5	2,3	3,6	7,3	11,7	18,4	29,3
Artikel-No.	K2BDF110	K2BDF125	K2BDF160	K2BDF200	K2BDF250	K2BDF315	K2BDF400	K2BDF500

• DN | nominal size • L | length (mm) • IR | \varnothing pipe inside (mm) • AM | \varnothing plug in sleeve outside (mm) • AV | \varnothing 4 Seal outside mm • V | OK plug in sleeve till 4 seal material thickness | in mm • weight | in kg

TECHNICAL DATA SHEET



KRASO® Floor Penetration Type BDF + F – KG 2000



Typ BDF with foil flange									
DN	110	125	160	200	250	315	400	500	
L	590	590	590	590	590	590	590	590	
IR	103,2	117,2	150,2	187,6	234,6	295,6	375,4	469,4	
AM	130	149	190	235	290	290	451	558	
AV	138	153	188	228	278	278	428	528	
V	120	100	120	70	80	90	100	120	
Material thickness	3,4	3,9	4,9	6,2	7,7	7,7	12,3	15,3	
F	150	150	150	150	150	150	150	150	
weight	1,1	1,5	2,3	3,6	7,3	11,7	18,4	29,3	
Artikel-No.	K2BDF110	K2BDF125	K2BDF160	K2BDF200	K2BDF250	K2BDF315	K2BDF400	K2BDF500	

• DN | nominal size • L | length (mm) • IR | Ø pipe inside (mm) • AM | Ø plug in sleeve outside (mm) • AV | Ø 4 Seal outside mm • V | OK plug in sleeve till 4 seal
 • material thickness | in mm • weight | in kg

TECHNICAL DATA SHEET