

## TECHNICAL DATA SHEET



# KRASO® Casing Type FL/ZA | stainless steel

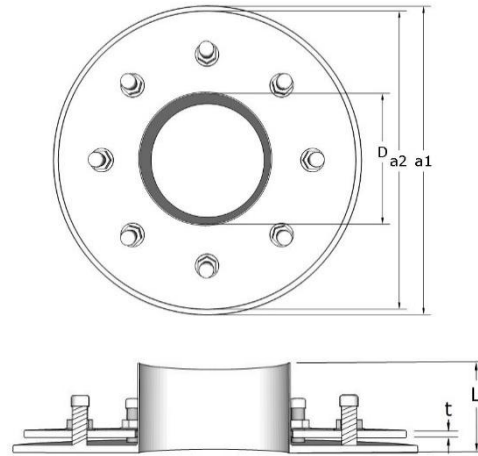
### Application area

fixed-loose flange for dowel-fixing, with casing, for installation of media pipes using a sealing insert (not included in the scope of supply), for buildings with exterior sealing ("black tank") according to DIN 18533. Available in non-corrosive stainless steel V2A or electrogalvanised, each with or without special coating | DIN 18533 W1-E and W2.1-E (version "non pressing water"), W2.2-E (version "pressing water")

### Product image



### Technical drawing



•D | Internal diameter casing (mm) •a1 | External diameter fixed flange (mm) •a2 | External diameter loose flange (mm)  
 •L | Protrusion Casing (mm) •t | Material thickness (mm) •Weight | in kg

### Material

Flange plate / casing	Non-corrosive stainless steel V2A
Supplement	EPDM flat seal 3mm 50 +/- 5 shore
Fixing material	Dowels M8, bolts, nuts and washers M20 or M12
Nuts	Torque Control Nut KRASO® DKM

### Technical details

- Available in non-corrosive stainless steel V2A or V4A and in electrogalvanised steel
- Each as version for pressing (DIN 18533 W2-E) and non pressing water (DIN 18533 W1-E).

Test certificates | [In our download area](#)

## TECHNICAL DATA SHEET



## KRASO® Casing Type FL/ZA | stainless steel

Type / Item	KRASO® Casing Type FL/ZA PRESSING WATER acc. to DIN 18533 W2-E						
D	80	100	125	150	200	250	300
a1	400	420	445	470	520	570	620
a2	380	400	425	450	500	550	600
L	80	80	80	80	80	80	80
t	10	10	10	10	10	10	10
Weight	22	25	27	29	34	39	44
Item no.	KFLDDZA080	KFLDDZA100	KFLDDZA125	KFLDDZA150	KFLDDZA200	KFLDDZA250	KFLDDZA300

Type / Item	KRASO® Casing Type FL/ZA NON PRESSING WATER acc. to DIN 18533 W1-E						
D	80	100	125	150	200	250	300
a1	220	240	265	290	340	390	440
a2	200	220	245	270	320	370	420
L	80	80	80	80	80	80	80
t	6	6	6	6	6	6	6
Weight	8	9,5	10,5	12,5	14	17	200
Item no.	KFLEDZA080	KFLEDZA100	KFLEDZA125	KFLEDZA150	KFLEDZA200	KFLEDZA250	KFLEDZA300

•D | Internal diameter casing (mm) •a1 | External diameter fixed flange (mm) •a2 | External diameter loose flange (mm)  
 •L | Protrusion Casing (mm) •t | Material thickness (mm) •Weight | in kg