

## TECHNICAL DATA SHEET



# KRASO® Sealing Insert Type ED

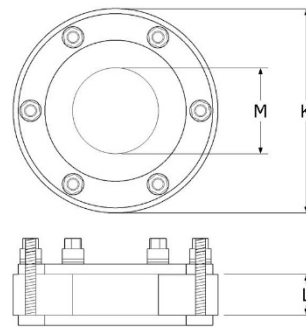
### Application areas

against pressing and non-pressing water, for core holes or casings for installation of pipes or cables, including **KRASO®** Torque Control Nut.

### Product image



### Technical drawing



### Material

Clamping plates	non-corrosive stainless steel
Bolts	non-corrosive stainless steel
Washers	non-corrosive stainless steel
Nuts	Torque Control Nut <b>KRASO®</b> DKM
Seal	EPDM 50° +/-5° Shore

### Technical details

- Torque Control Nut **KRASO®** DKM: integrated torque limiter – no torque wrench required
- according to FHRK basis for inspection GE 101 tested
- Radon tight IAF tested – meets the requirements for Radon areas according FHRK information sheet MB 101
- Axial bending of the media pipes up to 8° possible
- MPA gas- and water pressure tight, tested up to 1,0 bar

certificate [find in our download area](#)

## TECHNICAL DATA SHEET



## KRASO® Sealing Insert Type ED

### Size - 80

K	80	80	80		
M	25	32	43		
L	20	20	20		
Clamping range	20-26	29-35	38-44		
Weight	0,30	0,27	0,25		
Item no.	KDI080ED022	KDI080ED032	KDI080ED040		

### Size - 100

K	100	100	100	100	
M	32	43	50	63	
L	20	20	20	20	
Clamping range	29-35	38-44	48-51	58-64	
Weight	0,5	0,47	0,46	0,45	
Item no.	KDI100ED032	KDI100ED040	KDI100ED048	KDI100ED060	

### Size - 125

K	125	125	125		
M	63	75	80		
L	20	20	20		
Clamping range	58-64	72-78	75-81		
Weight	0,76	0,68	0,68		
Item no.	KDI125ED060	KDI125ED075	KDI125ED078		

### Size - 150

K	150	150	150	150	
M	75	80	90	110	
L	20	20	20	20	
Clamping range	70-76	75-81	85-91	105-111	
Weight	0,80	0,78	0,78	0,70	
Item no.	KDI150ED075	KDI150ED078	KDI150ED088	KDI150ED108	

### Size - 200

K	200	200	200	200	200	200
M	110	114	125	135	140	160
L	20	20	20	20	20	20
Clamping range	105-111	113-119	120-126	130-136	135-141	155-161
Weight	1,80	1,70	1,50	1,20	1,10	1,00
Item no.	KDI200ED108	KDI200ED114	KDI200ED123	KDI200ED133	KDI200ED139	KDI200ED158

•K | core hole (mm) •M | media lines (mm) •L | seal (mm) •Weight | in kg

Dimensional and Weight data without guarantee • Variations in colour possible between the illustrated product and the product supplied • Technical subject to afternoon  
 • All rights to the drawings and designs are the property of KRASO GmbH Co. KG • The copying and distribution of drawings and other use requires our written consent.

## TECHNICAL DATA SHEET



## KRASO® Sealing Insert Type ED

### Size - 250

K	250	250	250	250	250
M	160	170	180	200	210
L	20	20	20	20	20
Clamping range	156-162	165-171	176-182	196-202	206-212
Weight	2,50	2,40	1,5	1,3	1,2
Item no.	KDI250ED158	KDI250ED168	KDI250ED177	KDI250ED200	KDI250ED210

### Size - 300

K	300	300	300	300	300
M	200	210	219	225	250
L	20	20	20	20	20
Clamping range	196-202	206-212	215-221	221-227	246-252
Weight	3,40	3,30	2,25	2,20	2,00
Item no.	KDI300ED200	KDI300ED210	KDI300ED219	KDI300ED225	KDI300ED250

### Size - 350

K	350	350	350	350	350
M	200	210	219	225	250
L	20	20	20	20	20
Clamping range	196-202	206-212	215-221	221-227	246-252
Weight	2,0	2,0	2,0	2,0	2,0
Item no.	KDI350ED200	KDI350ED210	KDI350ED219	KDI350ED225	KDI350ED250

### Size - 400

K	400	400	400	400	
M	273	280	315	326	
L	20	20	20	20	
Clamping range	269-275	276-282	311-317	322-328	
Weight	4,40	4,30	4,00	3,90	
Item no.	KDI400ED273	KDI400ED280	KDI400ED315	KDI400ED326	

### Size - 500

K	500	500	500		
M	400	429	450		
L	20	20	20		
Clamping range	397-402	426-431	447-452		
Weight	6,70	4,0	3,6		
Item no.	KDI500ED400	KDI500ED429	KDI500ED450		

•K | core hole (mm) •M | media lines (mm) •L | seal (mm) •Weight | in kg

Dimensional and Weight data without guarantee • Variations in colour possible between the illustrated product and the product supplied • Technical subject to afternoon  
 • All rights to the drawings and designs are the property of KRASO GmbH Co. KG • The copying and distribution of drawings and other use requires our written consent.