

TECHNICAL DATA SHEET



KRASO® Local- and District Heating –House Connection

| Product Image | Product Information |
|---------------|---|
| | Description KRASO® Local- and District Heating – House Connection – Basis DN 200 |
| | Pressure tightness / Shell Component (bar) 7,0 |
| | Pressure tightness installation kit (bar) 1,0 <small>optional available</small> |
| | Weight (kg) 31,2 |
| | Art. No. KFERNWÄRMEBASIS200 |

| Technical drawing | Dimensions |
|-------------------|--|
| | DN Nominal Size (mm) 200 |
| | B width (cm) 32 |
| | HR Height / Shell Component (cm) 130 |
| | L length (cm) 98 |
| | HL Height Empty Pipe Insert (cm) 25 |
| | Bending Radius (mm) 800 |
| | OKFFB Top Edge Finish Floor OKRFB Top Edge Unfinished Floor |

| Scope | Material |
|---|----------------------|
| For buildings without basement to connect the in-house system to the local and district heating network, for flexible and insulated pipelines with integrated supply and reflux . | Sheet PVC |
| | Sleeve PP |
| | Empty pipe insert PP |
| | 4 Seal TPE |
| Tests | |
| MPA yes | |
| DVGW - | |
| Find in our download area | |
| Resistance | |
| Temperature 0°C up to 60°C | |
| Ground suitable yes | |
| Oil no | |

TECHNICAL DATA SHEET



KRASO® Installation Kit

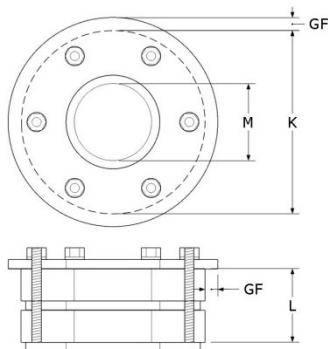
Product Image



Product Information

| | |
|--------------------------|---|
| Description | Installation Kit for KRASO® Local- and District Heating – House Connection |
| Pressure tightness (bar) | 1,0 |
| Weight (kg) | 7,5 |
| Article no. | KFERNWÄRMEINSTALL200 |

Technical drawing



Dimensions

| | | |
|------------------------|-----------------------------|---------|
| K | External Diameter (mm) | 185 |
| M | Diameter pipe or cable (mm) | 0 – 160 |
| L | sealing (mm) | 40 |
| GF | Large flange (mm) | 10 |
| Tightening torque (Nm) | | 7 |
| sleeves (pc) | | 8 |

Scope

Installation Kit **KRASO®** sealing insert Type DD/GR G – especially for ribbed pipes, with large flange and centring disk for the internal fixation of the Local- and District Heating – House Connection

Material

| | |
|------------------|---------------------|
| Clamping plate | stainless steel V2A |
| Bolzen | stainless steel V2A |
| Unterlegscheiben | stainless steel V2A |
| Muttern | stainless steel V2A |
| Dichtung | EPDM |
| Zentrierscheibe | PP |

Tests

| | |
|------|-----|
| MPA | yes |
| DVGW | - |

[Find in our download area](#)

Resistance

| | |
|-------------------------------------|-----------|
| Drinking water (KTW-recommendation) | nein |
| Temperature | bis 90 °C |
| Slurry | no |
| Mineral oil | no |