

TECHNICAL DATA SHEET



KRASO® Flange Plate V2A

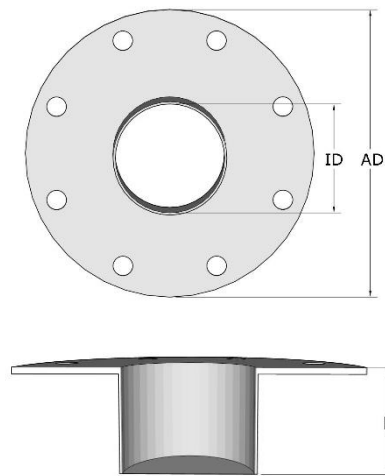
Application area

for installation of pipes or cables using a sealing insert (not included in the scope of supply), in front of a core drilling in concrete or masonry wall, made of non-corrosive stainless steel V2A, EPDM flat seal. ID = InternalDiameter | **DafStB waterproof concrete guideline: Stress class 1 + 2**

Product image



Technical drawing



•ID | Internal diameter tubular sleeve (mm) •AD | External diameter flange plate (mm) •L | length protrusion (mm)
 •Weight | in kg

Material

Flange plate / casing	Non-corrosive stainless steel V2A
Supplements	EPDM flat seal 5mm 50 +/- 5 shore
Fixing material	Shear connector, threaded rod M12 stainless steel, adhesive and sealant KRASO® PU 50

Technical details

- Available in non-corrosive stainless steel V2A or V4A or electrogalvanised

Test certificate	In our download area
------------------	--------------------------------------

Type / Item	KRASO® Flange Plate non-corrosive stainless steel V2A						
ID	80	100	125	150	200	250	300
AD	240	260	290	310	360	410	460
L	80	80	80	80	80	80	80
Weight	1,8	2,2	2,5	2,8	3,8	4,7	5,8
Item No.	KEFP1080	KEFP1100	KEFP1125	KEFP1150	KEFP1200	KEFP1250	KEFP1300

•ID | Internal diameter tubular sleeve (mm) •AD | External diameter flange plate (mm) •L | length protrusion (mm)
 •Weight | in kg