

TECHNICAL DATA SHEET



KRASO® Local- and District Heating –House Connection

Product Image	Product Information
	Description KRASO® Local- and District Heating – House Connection – Basis DN 315
	Pressure tightness / Shell Component (bar) 7,0
	Pressure tightness installation kit (bar) 1,0 <small>optional available</small>
	Weight (kg) 32,5
	Art. No. KFERNWÄRMEBASIS315

Technical drawing	Dimensions
	DN Nominal Size (mm) 315
	B width (cm) 41,5
	HR Height / Shell Component (cm) 149
	L length (cm) 115
	HL Height Empty Pipe Insert (cm) 25
	Bending Radius (mm) 1000
	OKFFB Top Edge Finish Floor OKRFB Top Edge Unfinished Floor

Scope	Material
For buildings without basement to connect the in-house system to the local and district heating network, for flexible and insulated pipelines with integrated supply and reflux .	Sheet PVC
	Sleeve PP
	Empty pipe insert PP
	4 Seal TPE
Tests	
MPA yes	
DVGW -	
Find in our download area	
Resistance	
Temperature 0°C up to 60°C	
Ground suitable yes	
Oil no	

TECHNICAL DATA SHEET



KRASO® Installation Kit

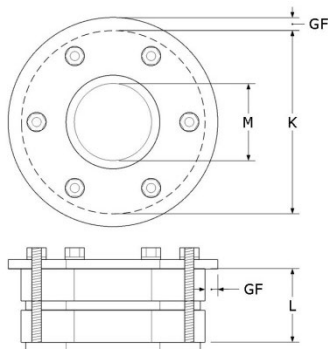
Product Image



Product Information

Description	Installation Kit for KRASO® Local- and District Heating – House Connection
Pressure tightness (bar)	1,0
Weight (kg)	8,5
Article no.	KFERNWÄRMEINSTALL315

Technical drawing



Dimensions

K	External Diameter (mm)	292
M	Diameter pipe or cable (mm)	0 – 267
L	sealing (mm)	40
GF	Large flange (mm)	10
	Tightening torque (Nm)	7
	sleeves (pc)	10

Scope

Installation Kit **KRASO®** sealing insert Type DD/GR G – especially for ribbed pipes, with large flange and centring disk for the internal fixation of the Local- and District Heating – House Connection

Material

Clamping plate	stainless steel V2A
Bolzen	stainless steel V2A
Unterlegscheiben	stainless steel V2A
Muttern	stainless steel V2A
Dichtung	EPDM
Zentrierscheibe	PP

Tests

MPA	yes
DVGW	-

[Find in our download area](#)

Resistance

Drinking water (KTW-recommendation)	nein
Temperature	bis 90 °C
Slurry	no
Mineral oil	no