

## TECHNICAL DATA SHEET



# KRASO® Local- and District Heating –House Connection

Product Image	Product Information
	Description <b>KRASO®</b> Local- and District Heating – House Connection – Basis DN 250
	Pressure tightness / Shell Component (bar) 7,0
	Pressure tightness installation kit (bar) 1,0 <small>optional available</small>
	Weight (kg) 31,5
	Art. No. KFERNWÄRMEBASIS250

Technical drawing	Dimensions
	DN   Nominal Size (mm) 250
	B   width (cm) 34
	HR   Height / Shell Component (cm) 136,5
	L   length (cm) 120
	HL   Height Empty Pipe Insert (cm) 25
	Bending Radius (mm) 800
	OKFFB Top Edge Finish Floor OKRFB Top Edge Unfinished Floor

Scope	Material
For buildings without basement to connect the in-house system to the local and district heating network, for flexible and insulated pipelines with integrated supply and reflux .	Sheet PVC
	Sleeve PP
	Empty pipe insert PP
	4 Seal TPE
<b>Tests</b>	
MPA yes	
DVGW -	
<a href="#">Find in our download area</a>	
<b>Resistance</b>	
Temperature 0°C up to 60°C	
Ground suitable yes	
Oil no	

## TECHNICAL DATA SHEET



## KRASO® Installation Kit

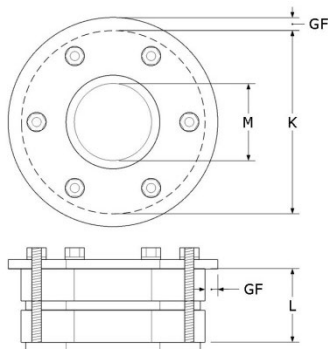
### Product Image



### Product Information

Description	Installation Kit for <b>KRASO®</b> Local- and District Heating – House Connection
Pressure tightness (bar)	1,0
Weight (kg)	8,0
Article no.	KFERNWÄRMEINSTALL250

### Technical drawing



### Dimensions

K	External Diameter (mm)	231
M	Diameter pipe or cable (mm)	0 – 206
L	sealing (mm)	40
GF	Large flange (mm)	10
Tightening torque (Nm)		7
sleeves (pc)		10

### Scope

Installation Kit **KRASO®** sealing insert Type DD/GR G – especially for ribbed pipes, with large flange and centring disk for the internal fixation of the Local- and District Heating – House Connection

### Material

Clamping plate	stainless steel V2A
Bolzen	stainless steel V2A
Unterlegscheiben	stainless steel V2A
Muttern	stainless steel V2A
Dichtung	EPDM
Zentrierscheibe	PP

### Tests

MPA	yes
DVGW	-

[Find in our download area](#)

### Resistance

Drinking water (KTW-recommendation)	nein
Temperature	bis 90 °C
Slurry	no
Mineral oil	no