

TECHNICAL DATA SHEET

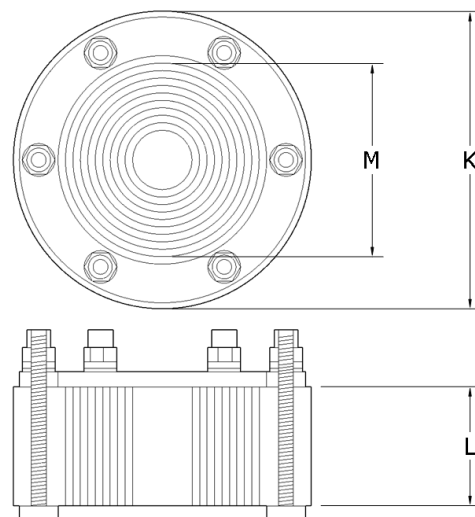


KRASO® Sealing Insert Universal DD

Application areas

against pressing and non-pressing water, for core holes or casings for installation of pipes or cables, including KRASO® Torque Control Nut.

Technical drawing



Material

Clamping plates	non-corrosive stainless steel
Bolts	non-corrosive stainless steel
Washers	non-corrosive stainless steel
Nuts	Torque Control Nut KRASO® DKM
Seal	EPDM 50° +/-5° Shore

Technical details

- Torque Control Nut KRASO® DKM: integrated torque limiter – no torque wrench required
- according to FHRK basis for inspection GE 101 tested
- Radon tight IAF tested – meets the requirements for Radon areas according FHRK information sheet MB 101
- Axial bending of the media pipes up to 8° possible
- MPA gas- and water pressure tight, tested up to 1,5 bar




Certificate	find in our download areas
-------------	--

TECHNICAL DATA SHEET



KRASO® Sealing Insert Universal DD

						
	Universal 80 DD	Universal 100 DD	Universal 100 DD/T <small>(split design for retrofit installation)</small>	Universal 110 DD	Universal 110 DD/T <small>(split design for retrofit installation)</small>	Universal 150 DD
K 	80	100		110		150
M 	stepless onion ring technology: 18 - 43 mm or blind	stepless onion ring technology: 18 - 65 mm or blind		stepless onion ring technology: 18 - 75 mm or blind		110 90 75 blind
L 	40	40		40		40
Weight 	0,50	0,70		0,8		1,2
Item no. 	KDIUNI080	KDIUNI100	KDIUNIG100	KDIUNI110	KDIUNIG110	KDIUNI150

						
	Universal 150 DD/T <small>(split design for retrofit installation)</small>	Universal 160 DD/T	Universal 200 DD	Universal 200 DD/T <small>(split design for retrofit installation)</small>	Universal 250 DD	Universal 250 DD/T <small>(split design for retrofit installation)</small>
K 		160		200		250
M 	110 90 75 blind	110 90 75 blind		160 135 125 110 blind		210 200 180 170 160
L 	40	40		40		40
Weight 	1,2	1,3		1,8		2,4
Item no. 	KDIUNIG150	KDIUNIG160	KDIUNI200	KDIUNIG200	KDIUNI250	KDIUNIG250

• K | core hole (mm) • M | media lines (mm) • L | seal (mm) • Weight | in kg

Dimensional and Weight data without guarantee • Variations in colour possible between the illustrated product and the product supplied • Technical subject to afternoon
 • All rights to the drawings and designs are the property of KRASO GmbH Co. KG • The copying and distribution of drawings and other use requires our written consent.