

TECHNICAL DATA SHEET



KRASO® Sealing Insert Type DD

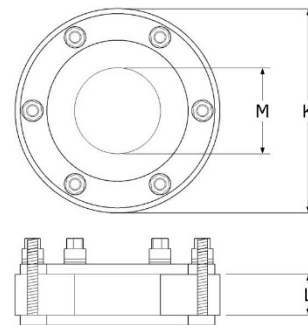
Application areas

against pressing and non-pressing water, for core holes or casings for installation of pipes or cables, including KRASO® Torque Control Nut.

Product image



Technical drawing



Material

Clamping plates	non-corrosive stainless steel
Bolts	non-corrosive stainless steel
Washers	non-corrosive stainless steel
Nuts	Torque Control Nut KRASO® DKM
Seal	EPDM 50° +/-5° Shore

Technische Details

- Torque Control Nut KRASO® DKM: integrated torque limiter – no torque wrench required
- according to FHRK basis for inspection GE 101 tested
- Radon tight IAF tested – meets the requirements for Radon areas according FHRK information sheet MB 101
- Axial bending of the media pipes up to 8° possible
- MPA gas- and water pressure tight, tested up to 3,0 bar

certificate [find in our download area](#)

TECHNICAL DATA SHEET



KRASO® Sealing Insert Type DD

Size - 80

K	80	80	80		
M	25	32	43		
L	40	40	40		
Clamping range	20-26	29-35	38-44		
Weight	0,51	0,47	0,4		
Item no.	KDI080DD022	KDI080DD032	KDI080DD040		

Size - 100

K	100	100	100	100	
M	32	43	50	63	
L	40	40	40	40	
Clamping range	29-35	38-44	45-51	58-64	
Weight	0,7	0,63	0,6	0,56	
Item no.	KDI100DD032	KDI100DD040	KDI100DD048	KDI100DD060	

Size - 125

K	125	125	125		
M	63	75	80		
L	40	40	40		
Clamping range	58-64	72-78	75-81		
Weight	0,98	0,89	0,87		
Item no.	KDI125DD060	KDI125DD075	KDI125DD078		

Size - 150

K	150	150	150	150	
M	75	80	90	110	
L	40	40	40	40	
Clamping range	70-76	75-81	85-91	105-111	
Weight	1,2	1,2	1,0	0,9	
Item no.	KDI150DD075	KDI150DD078	KDI150DD088	KDI150DD108	

Size - 200

K	200	200	200	200	200	200
M	110	114	125	135	140	160
L	40	40	40	40	40	40
Clamping range	105-111	113-119	120-126	130-136	135-141	155-161
Weight	2,3	2,25	2,2	1,6	1,5	1,2
Item no.	KDI200DD108	KDI200DD114	KDI200DD123	KDI200DD133	KDI200DD139	KDI200DD158

• K | core hole (mm) • M | media lines (mm) • L | seal (mm) • weight | in kg

Dimensional and weight data without guarantee • Variations in colour possible between the illustrated product and the product supplied • Technical subject to afternoon • All rights to the drawings and designs are the property of KRASO GmbH Co. KG • The copying and distribution of drawings and other use requires our written consent.

TECHNICAL DATA SHEET



KRASO® Sealing Insert Type DD

Size - 250

K	250	250	250	250	250
M	160	170	180	200	210
L	40	40	40	40	40
Clamping range	156-162	165-171	176-182	196-202	206-212
Weight	3,1	3,0	2,1	1,8	1,7
Item no.	KDI250DD158	KDI250DD168	KDI250DD177	KDI250DD200	KDI250DD210

Size - 300

K	300	300	300	300	300
M	200	210	219	225	250
L	40	40	40	40	40
Clamping range	196-202	206-212	215-221	221-227	246-252
Weight	4,2	4,1	3,0	2,9	2,4
Item no.	KDI300DD200	KDI300DD210	KDI300DD219	KDI300DD225	KDI300DD250

Size - 350

K	350	350	350	350	350
M	200	210	219	225	250
L	40	40	40	40	40
Clamping range	196-202	206-212	215-221	221-227	246-252
Weight	5,1	5,0	4,9	4,8	4,6
Item no.	KDI350DD200	KDI350DD210	KDI350DD219	KDI350DD225	KDI350DD250

Size - 400

K	400	400	400	400	
M	273	280	315	326	
L	40	40	40	40	
Clamping range	269-275	276-282	311-317	322-328	
Weight	6,0	5,9	5,8	5,7	
Item no.	KDI400DD273	KDI400DD280	KDI400DD315	KDI400DD326	

Size - 500

K	500	500	500		
M	400	429	450		
L	40	40	40		
Clamping range	297-402	426-431	447-452		
Weight	5,6	5,2	4,4		
Item no.	KDI500DD400	KDI500DD429	KDI500DD450		

• K | core hole (mm) • M | media lines (mm) • L | seal (mm) • weight | in kg