

## TECHNICAL DATA SHEET



# KRASO® Cable Inlet Box KDS 150

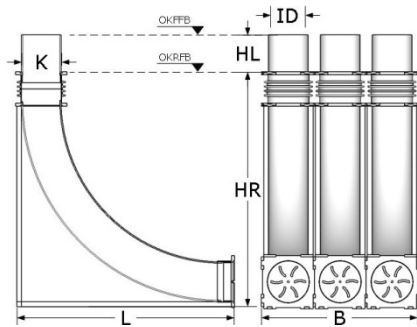
### Product Image



### Product Information

Name	<b>KRASO®</b> Cable Inlet Box KDS 150 - 1 x 3
Pressure tightness (bar)	3,5
Weight (kg)	16,6
Article no.	KKDS150HAS3

### Technical Drawing



### Dimensions

K	Bayonet mount (mm)	160
ID	Internal diameter (mm)	150
B	Width (cm)	63
HR	Height building component (cm)	92
L	Length (cm)	83
HL	Empty pipe insert (cm)	25
	Bending radius (mm)	650
OKFFB		top edge finished floor
OKRFB		top edge unfinished floor

### Scope

For the installation of supply lines like e.g. water - electricity - telecommunication etc. for buildings without basement (not certified as gas house connection according DVGW).

### Material

Frame / base plate element	PVC
Bend	PVC
4 Seal	PVC
Closure cover	ABS

### Tests

MPA	yes
DVGW	no

### [TEST CERTIFICATE](#)

### Resistance

Temperature	0°C to 60°C
Manure	yes